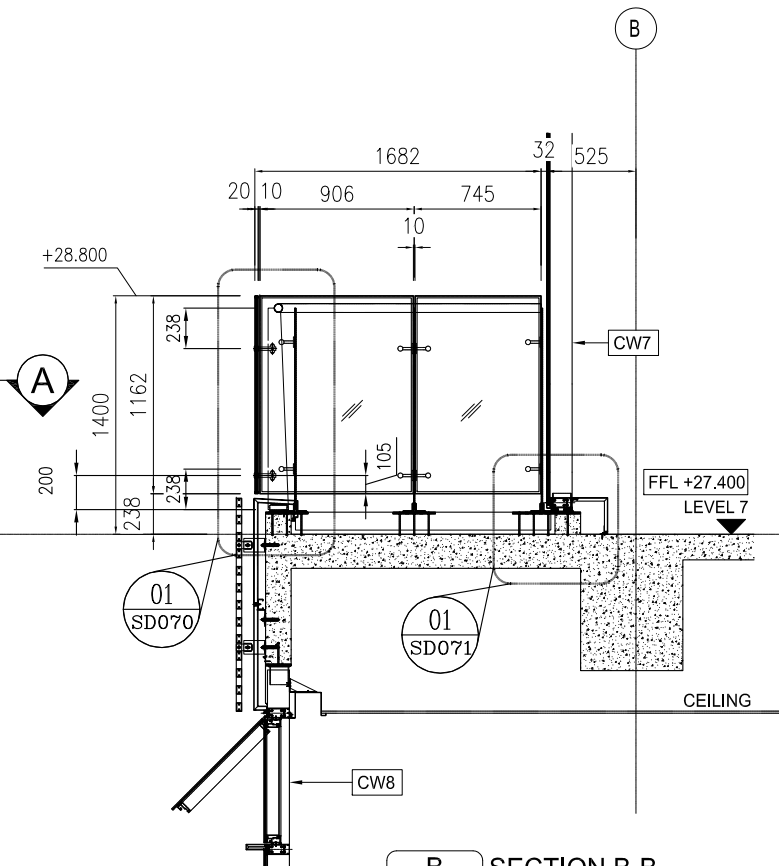
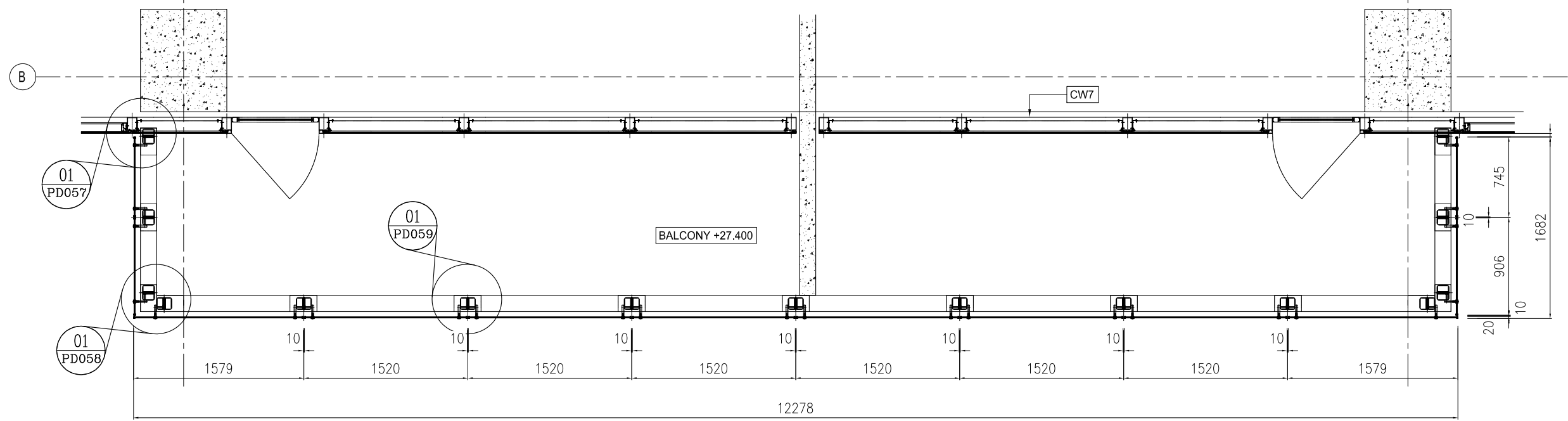


1 L7 GLASS BALLUSTRADE ELEVATION
 JSG-PE023 SCALE 1 : 25 (A1)



B SECTION B-B
 JSG-PE023 SCALE 1 : 25 (A1)



A SECTION A-A
 JSG-PE023 SCALE 1 : 25 (A1)